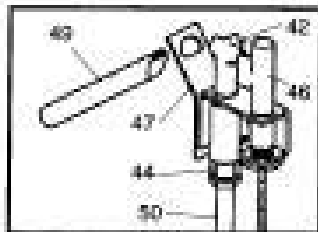
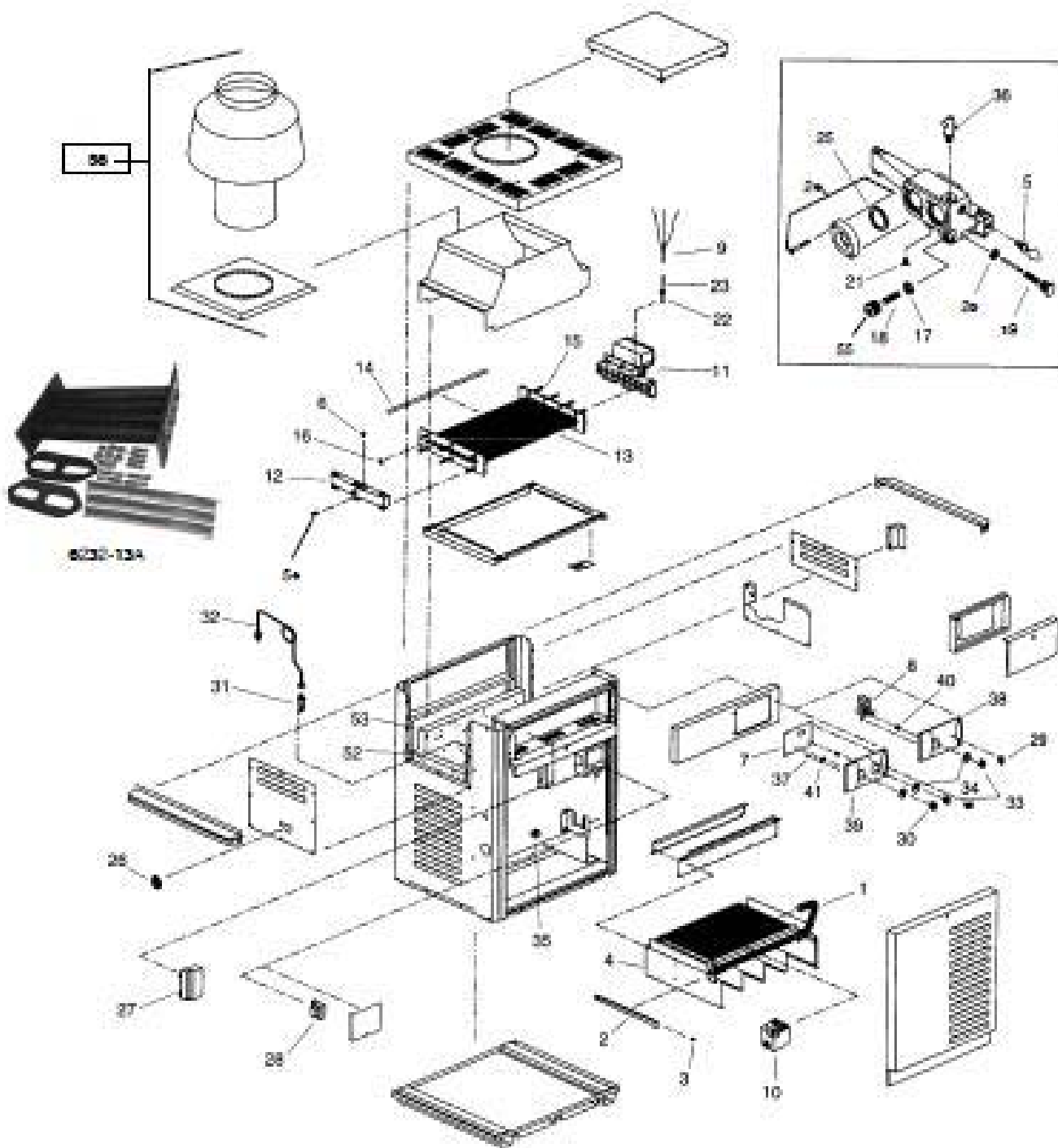
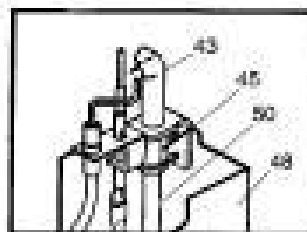


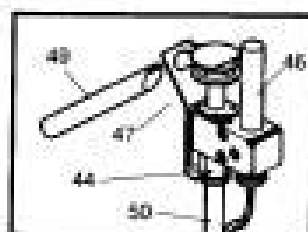
MODELS R 185A, R285A, R335A, R405A WITH CAST IRON HEADERS
 ALSO - LESLIES COPPERTHERM MODELS L180, L280, L330, L400
 MANUFACTURED NOV 1, 1963 THROUGH NOV 1, 1998



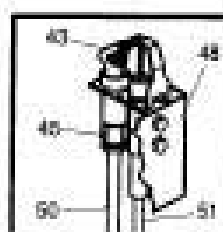
Robertshaw MV



Robertshaw ID



Honeywell MV



Honeywell ID